

Manual

Pro J1 – Cable Laying Machine

2 lead-gel batteries:	24 V / 25 Ah: maintenance-free, cycle-proof, leak-proof with charge status display
Charger:	2 Ah / 24V Automatic shutdown, fully electronic. Overcharging of the batteries not possible
Battery time:	Up to 1400 meters of cable laying with one battery charge. All-day work possible!
Charging time	Max. 10 Hours
Motor:	24 V / 750 Watt
Controls:	Soft start via rocker switch forward u. backward Desired speed infinitely adjustable via potentiometer Max. Approx. 58 m / min. = about 3.5 km / h
Own weight	92 kg (without additional weight)
Additional weight:	20 kg, removable
Tires:	4.00-4 4PR Blockprofile
Cable laying depth:	Up to max. 50 mm, adjustable
Safety	Emergency stop button
Dimensions:	LxWxH 1250x630x950mm (Handle height, adjustable in both directions)
Dimensions of transport:	LxWxH 840x630x810mm (folded handle)
Delivery:	Basic unit incl. Battery, charger, operating manual and. Additional weight 20 kg:

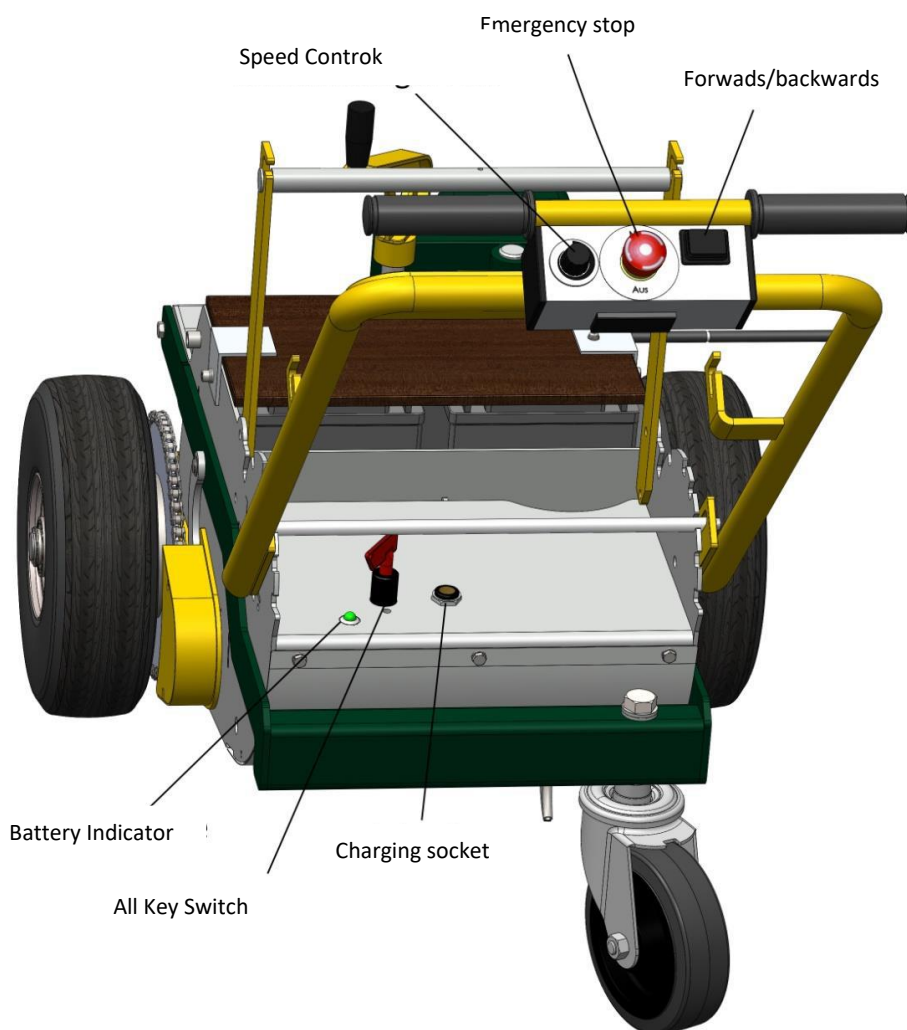
Driving and braking:

When the "FORWARD" or "REVERSE" rocker button is pressed, the Pro J1 accelerates at the speed set by the user at the potentiometer, using the manufacturer's programmed acceleration ramp.

Each position (forward) is allowed on the rocker switch, regardless of the speed.

The Pro J1 keeps the user-specified speed even when descending.

When the travel button is released, the device stops at the programmed deceleration ramp. At full speed, you can also quickly stop by pressing the backward button.



Charging the batteries:

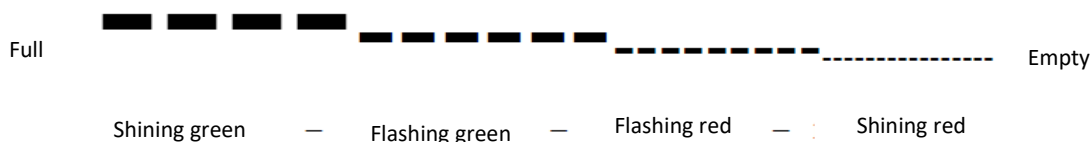
- 1.) Switch off the main key switch.
- 2.) Insert the charger into the charging socket.
- 3.) Connect the charger to the socket (230V).
- 4.) Look at the color of the LED on the charger. If it shines red, then the batteries charged. If it lights up green, the batteries are fully charged. The charging plug should not be plugged in or unplugged while the charger is plugged into the socket.

Akkus:

The Pro J1 is equipped with two pieces of maintenance-free, leak-proof and cycle-resistant lead-gel batteries. Therefore, it is ensured that no acid can leak when tilting the Pro J1.

These batteries have no memory effect.

- The batteries should never be run completely empty as this will shorten the service life. Even if the device is not needed for a long time, it should always be switched off when fully charged (main key switch off).
- When the unit is switched on, the charge status of the battery can be read off the battery indicator (next to the main key switch):



In order to ensure a long battery life, it should be recharged already at the beginning of "flashing red". If the display shows "red lighting", you should stop driving.

- To safely switch off the device, the main key switch must be switched off and the key removed (childproof lock).

Longer storage - over winter:

The charger is fully electronic and goes on trickle charge. Therefore, it can always stay on the device infected (even over the winter months).

The main key switch (ON-OFF) must be switched off and the key removed to prevent discharge of the batteries.

Push:

To push the Pro J1 by hand, all you have to do is turn off the main key switch or press the emergency stop button.

WARNING

At a speed of approx. 50% of the max. Driving speed is greatly slowed down when pushing the Pro J1 by hand.

→ Injury

This deceleration protects the electronics from overvoltage when sliding too fast; therefore it can not be programmed away.

WARNING

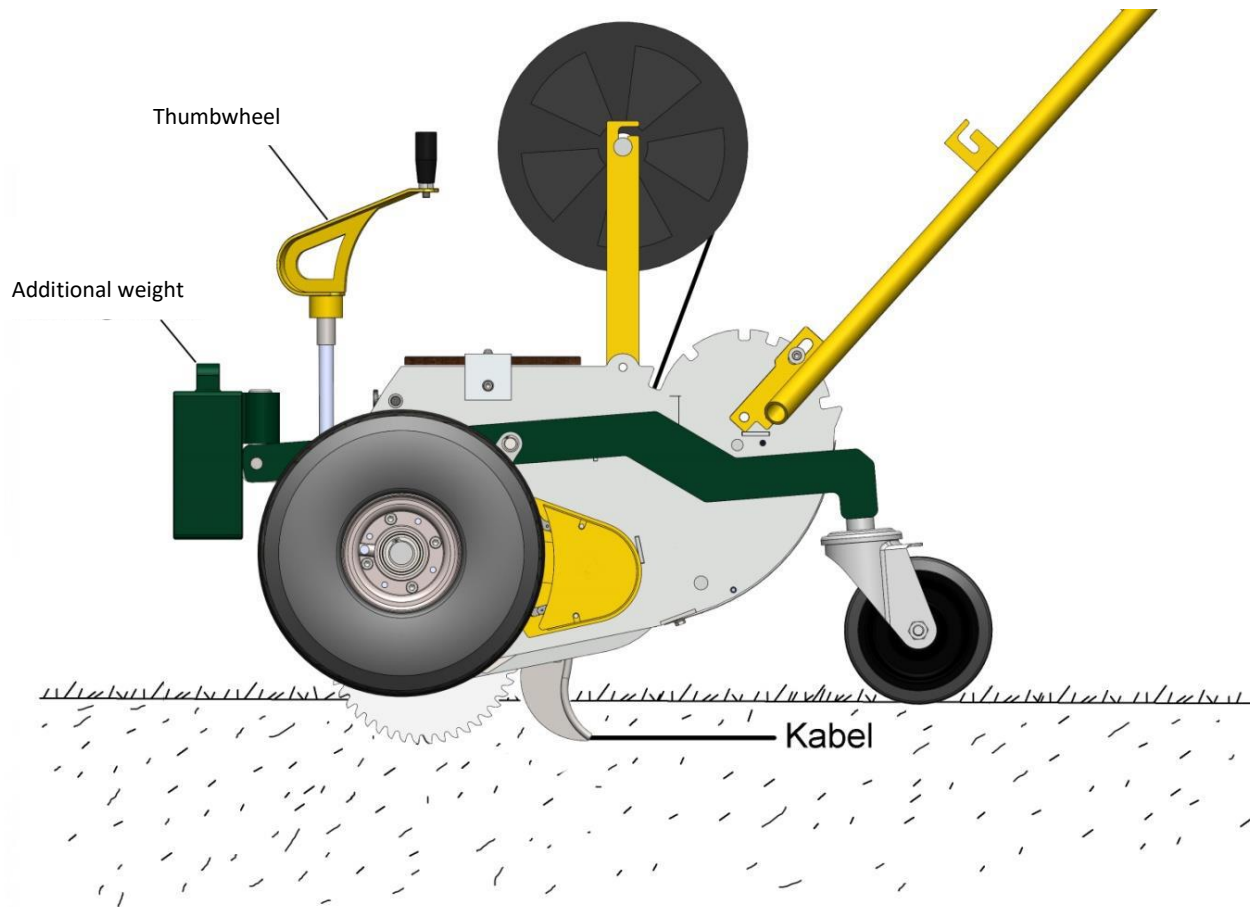
- Before handling the drive, the power supply must be interrupted by switching off the main key switch.
- The Pro J1 should be parked in such a way that no risk can be posed by unauthorized handling by children.
- If the unit is not used for a long time (over 2 hours), the main key switch must be turned off to prevent the batteries from discharging.

Safety Equipment:

1. Emergency stop button on the operating unit: Can be unlocked by turning it to the right
2. Thermal protection: Should the control electronics become too hot, it switches off automatically. After a cooling down time, it will automatically switch on again.

Laying Cable:

To insert the cable into the laying plow, the Pro J1 can be tilted forward (**main key switch off**).



For installation, the Pro J1 requires the additional weight, which is attached to the front of the device.

The setting wheel is used to set the laying depth. On the sides of the device scalings are attached, which specify the set installation depth in cm.

It is advisable to check whether there is still sufficient ground clearance at the set installation depth below the chain guard for the cutting wheel drive, so that the unit does not sit even on uneven ground.

This prevents unnecessary energy consumption.

During laying, it should be checked from time to time whether soil is stuck to the sides of the cutting wheel, as this also leads to unnecessarily high energy consumption and also to an unclear cut. As ev. Remedy the cutting wheel can also be mounted upside down.

In order to facilitate laying in difficult situations (for example under hedges), the drawbar can be locked in different positions. Similarly, the control unit can be swung to the side. In addition, the right cable carrier

can be folded back.



If the drawbar is placed fully forward, the operator should always pay attention to obstacles when going backwards.

The laying speed can be set on the speed potentiometer based on empirical values, paying attention to the soil condition.

Warning:

Reversing when laying leads to damage to the cable.

In order to optimize the working of the laying mechanics in tight bends, it is advisable to hold the device back a little on the drawbar, as this ensures the correct speed of the cutting wheel in relation to the driving speed. However, applying body weight to the drawbar is not expedient to the contrary.

Transport:

For mobile transport of the Pro J1, it must be cranked with the setting wheel to the transport position (see scaling) so that there is sufficient ground clearance.

To save space, it is advisable to fold the drawbar forward. When maneuvering the device, no body weight should be placed on the drawbar, as this can lead to damage to the adjustment mechanism.

When reversing, special care should be taken that the laying plow does not get caught in curbs or the like.

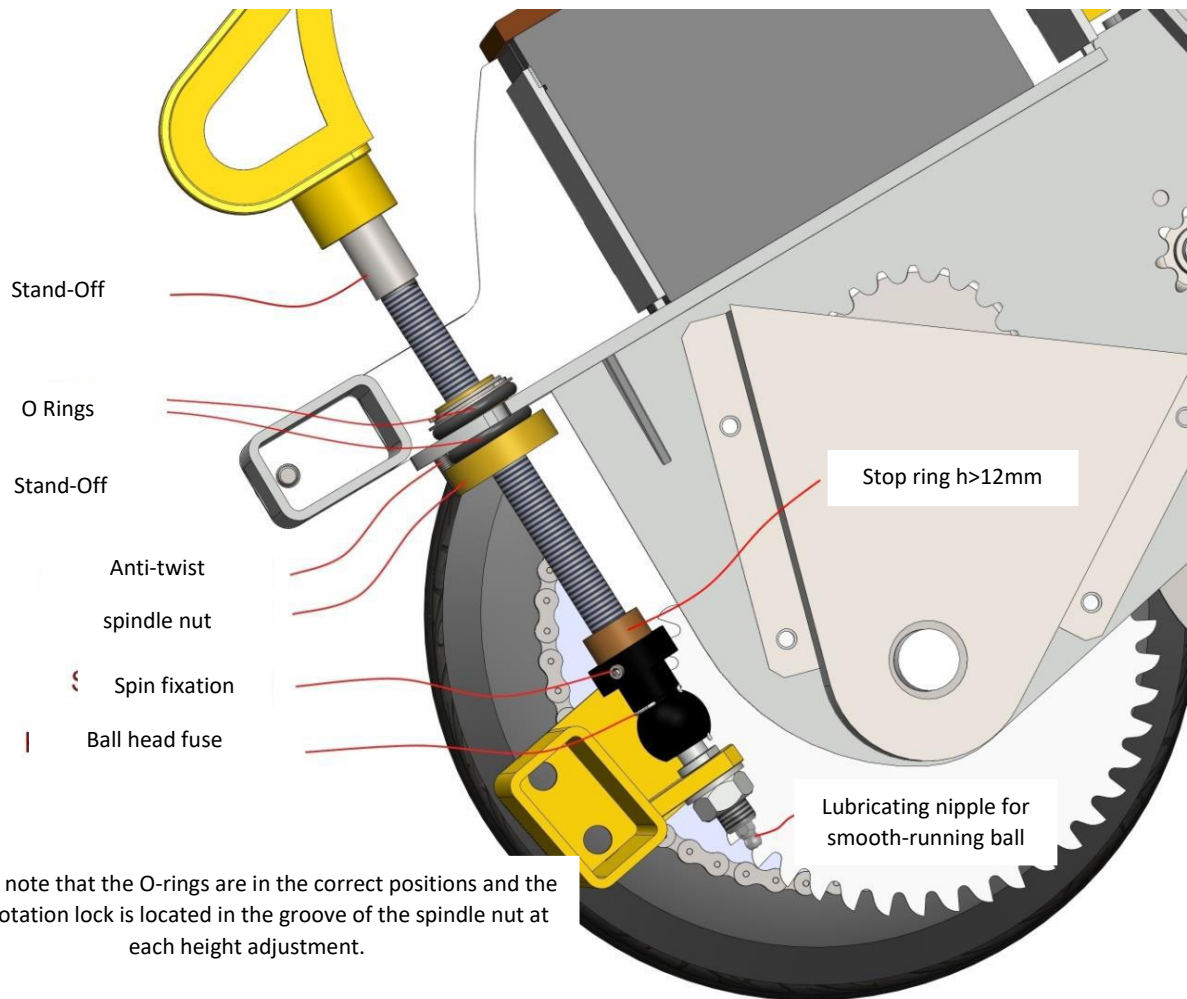
CAREFUL:

Keep in mind that the cutting wheel is also driven in transport position. Care must be taken to ensure that nothing gets torn into the laying mechanism.

Maintenance:

1. After cleaning the machine, it is recommended to lubricate the drive chains.
When cleaning with high pressure, there is a risk of water being forced into unfavorable places such as bearings or electronics.
2. It is important to check the wear of the laying plow, as the cable can be damaged if worn too much (plow needs to be replaced).
3. The cutting wheel is also a wearing part. It is up to the operator to decide whether the cutting wheel can still do its job. Lifetime approx. Two to three plows.
4. The air pressure in the tires should be between 2.0 and 3.0 bar!
5. Lubricating nipples on cutting wheel drive and height adjustment should be used.
6. Maintenance of height adjustment:
The height adjustment should be cleaned at least once per laying season and well lubricated. It is recommended to put the Pro J1 on the side. The correct construction can be seen for checking the following drawing.

Attention risk of injury: If the ball head lock is forgotten, the height adjustment can unfold uncontrollably.



Thank you for your attention.

Yours sincerely,

BOSSMOW

Additional

Distancer

With the help of the spacer the distance of the cable laying to the right side can be controlled.

The spacer can be pulled out of the pipe to the desired dimension and fixed with the knurled screw.

The first white mark on the pipe end means a laying distance of 24cm; each additional white mark means + 5cm.

The straight line (laying line) on the battery cover indicates the cable position.

